

Paradox Digiplex EVO HD

Wiring M2M's MiNi/MQ Series Cellular Communicators and Programming the Panel

CAUTION:

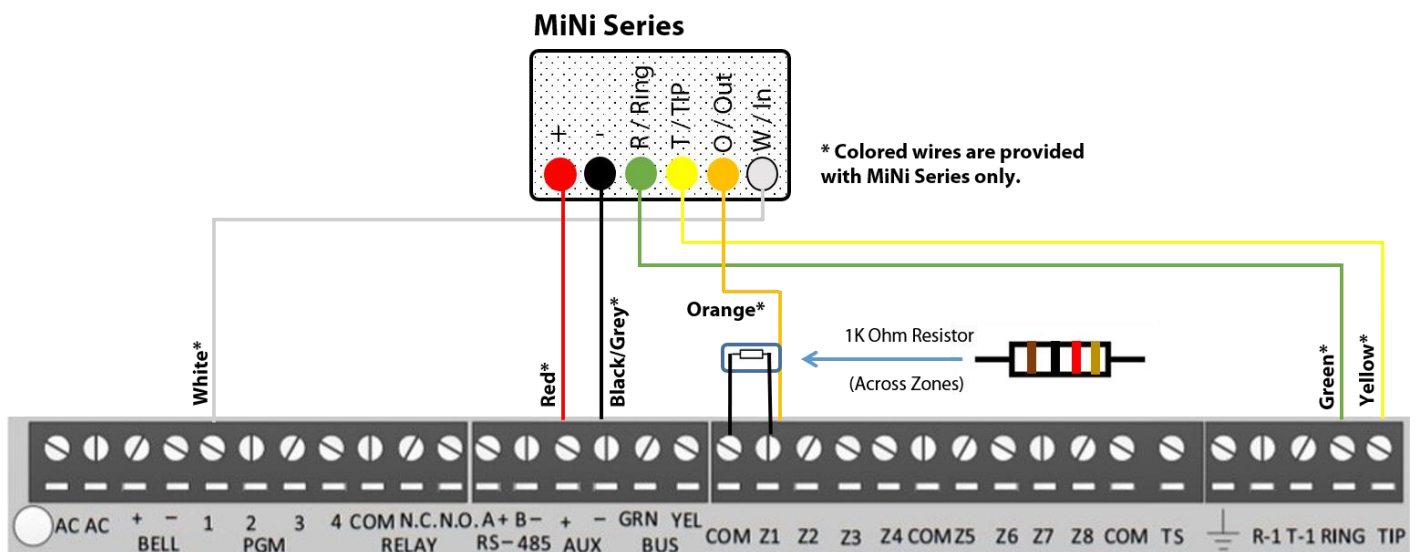
- It is advised that an experienced alarm installer programs the panel as further programming may be required to ensure proper performance and use of the full functionality.
- Do not route any wiring over circuit board.
- Full panel testing, and signal confirmation, must be completed by the installer.

NEW FEATURE: For MiNi/MQ Series Communicators, the status of the panel can be retrieved not only from the status PGM but now also from the Open/Close reports from the dialer. Therefore, wiring the white wire and programming of the status PGM of the panel is optional.

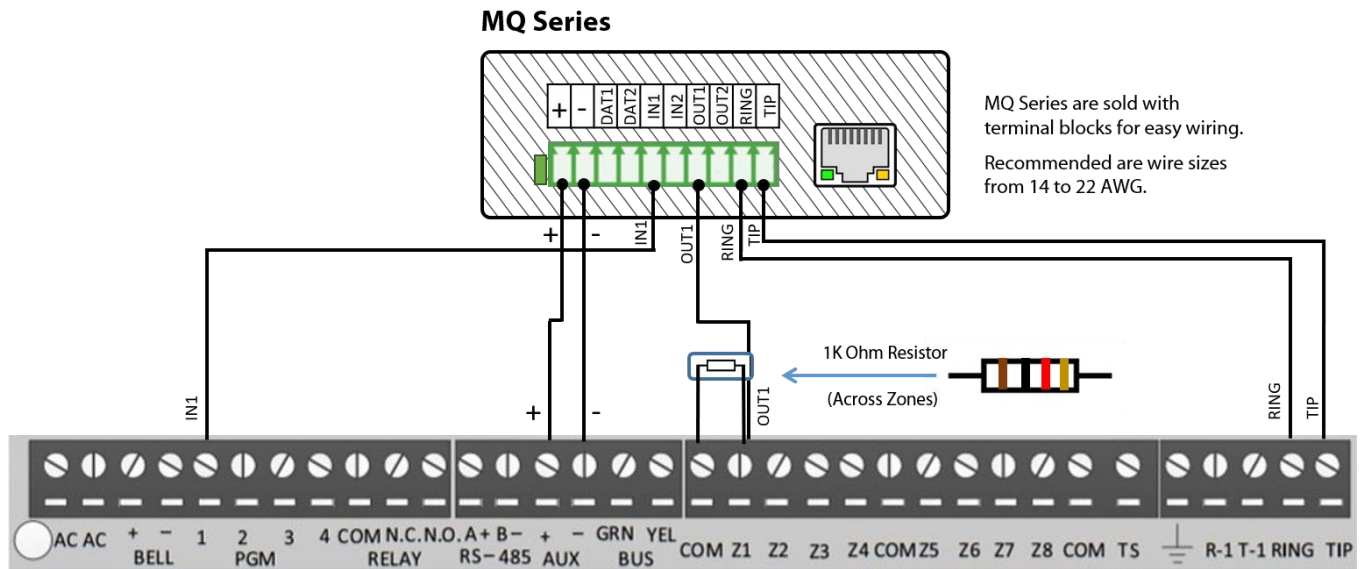
Wiring the white wire is necessary only if the Open/Close reporting is disabled.

IMPORTANT NOTE: The Open/Close reporting needs to be enabled during the initial pairing procedure.

Wiring the MiNi Series communicators to Paradox Digiplex EVO HD



Wiring the MQ Series communicators to Paradox Digiplex EVO HD



Programming the Paradox Digiplex EVO HD Alarm Panel via the Keypad

Enable Contact ID reporting:

| Display | Keypad Entry | Action Description |
|-------------------|--------------|--|
| Date & Time | 0, 000000 | Hold 0 to go to Installer code, 000000 to go to Programming menu. |
| Section | 3035 | To go to System Options menu. |
| 3035 Options | 6, Enter | 6 must be OFF (account number transition for partition number), Enter. |
| 3036 | 1,2, | 1 and 2 must be OFF – disable phone line monitoring. |
| | 3,4 | 3 and 4 must be ON – (3 is dialer Enabled, 4 Dialer method – tone). |
| 3037 | Enter, Clear | To save and go back to main menu. |
| Section | 3061 | To go to account number for Partition 1. |
| 3061 Communicator | 1234 | Enter desired account number. |
| 3062 | Clear | To go to main menu. |
| Section | 3070 | To go to reporting formats. |
| 3070 Communicator | 5555 | To select Ademco ContactID for all lines. |
| 3071 Telephone | 123456 Enter | Enter actual of imaginary phone number to report to, Enter to save. |
| 3072 Telephone | Clear | To go to main menu. |
| Section | 4031 | To reset all reporting codes to FF (Default). |
| Section | Clear | Press Clear to exit programming mode. |

Enable keyswitch arm/disarm and status output:

| Display | Keypad Entry | Action Description |
|-------------------|---------------------------|---|
| Date & Time | 0, 000000 | Hold 0 to go to Installer code, 000000 to go to Programming menu. |
| Section | 0001 | To enter zone programming. |
| 0001 Serial/Input | 0, Enter, | 0 and Enter to remove if there is a serial number and save it. |
| | Clear, Clear | To go to main menu. |
| Section | 0101 | To go to zone parameters. |
| 0101 Parameters | 01, Enter | 0 to choose disable zone type for Zone 1, 1 to Assign Zone 1 to Partition 1. |
| 0102 Parameters | Clear, Clear | To go to main menu. |
| Section | 0501 | To go to keyswitch numbering. |
| 0501 Serial/Input | 8 digit No. 001 | Type again the 8 digit serial number of the panel, 001 to select input 1. |
| 0502 Serial/Input | Clear, Clear | To go to main menu. |
| Section | 0601 | To go to keyswitch parameters. |
| 0601 Parameters | 11, Enter, Clear | 1 to assign keyswitch zone to partition 1, 1 to choose Momentary Keyswitch, Enter to save, Clear to go back to main menu. |
| Section | 3033 | To go to System Options 3. |
| 3033 Options | 7 on, 8 Off, Enter, Clear | 7 must be ON (EOL resistor on hardwired zones), 8 must be OFF (disable ATZ zone doubling), Enter to save, Clear, Clear to go back to main menu. |
| Section | 0901 | To go to PGM Activation programming. |
| 0901 Serial/Input | 8 digit No. 001 | Type again the 8 digit serial number of the panel, 001 to select input 1. |
| 0901 Timers | 064 | To select event group "Status 1". |
| 0901 Timers | 255 | To select "Armed" for all zones. |
| 0901 Timers | 000 | To disable PGM activation start timer. |
| 0901 Timers | 000 | To disable PGM activation end timer. |
| 0901 Timers | 014 | To disarm with user code. |
| 0901 Timers | 000 | To select Feature Group. |
| 0901 Timers | 000 | To disable PGM deactivation start timer. |
| 0901 Timers | 000, 000 | To disable PGM deactivation end timer. |
| Toggle options | 1 off, | 1 must be OFF for the PGM to be activated by deactivation event. |
| | 4 off | 4 must be OFF for the PGM initial state to be normally open. |
| | Enter, Enter, | |
| | Clear, Clear | |