

Interlogix NX-8

Wiring M2M's MiNi/MQ Series Cellular Communicators and Programming the Panel

CAUTION:

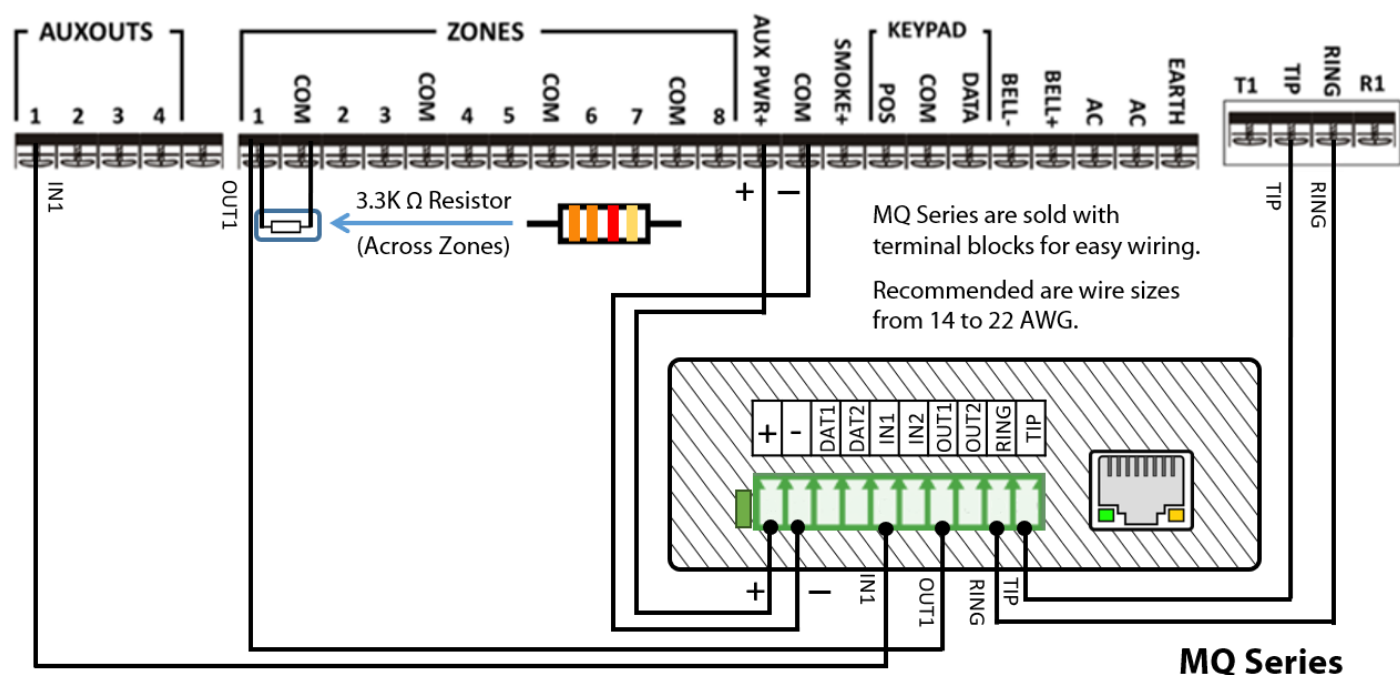
- It is advised that an experienced alarm installer programs the panel as further programming may be required to ensure proper performance and use of the full functionality.
- Do not route any wiring over circuit board.
- Full panel testing, and signal confirmation, must be completed by the installer.

NEW FEATURE: For MiNi/MQ Series Communicators, the status of the panel can be retrieved not only from the status PGM but now also from the Open/Close reports from the dialer. Therefore, wiring the white wire and programming of the status PGM of the panel is optional.

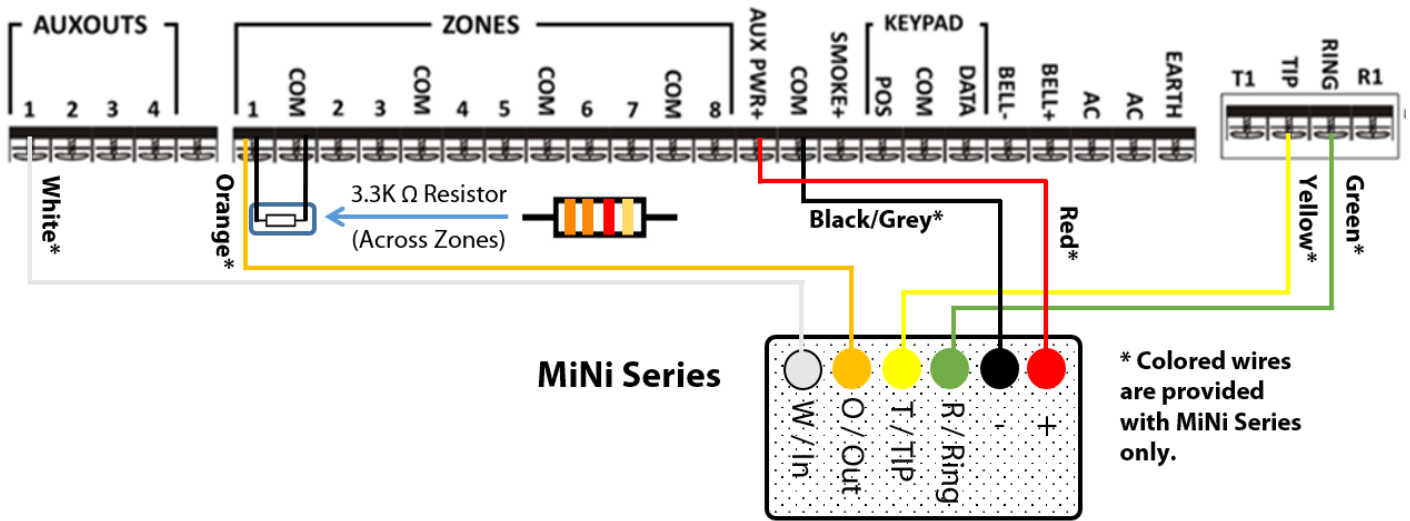
Wiring the white wire is necessary only if the Open/Close reporting is disabled.

IMPORTANT NOTE: The Open/Close reporting needs to be enabled during the initial pairing procedure.

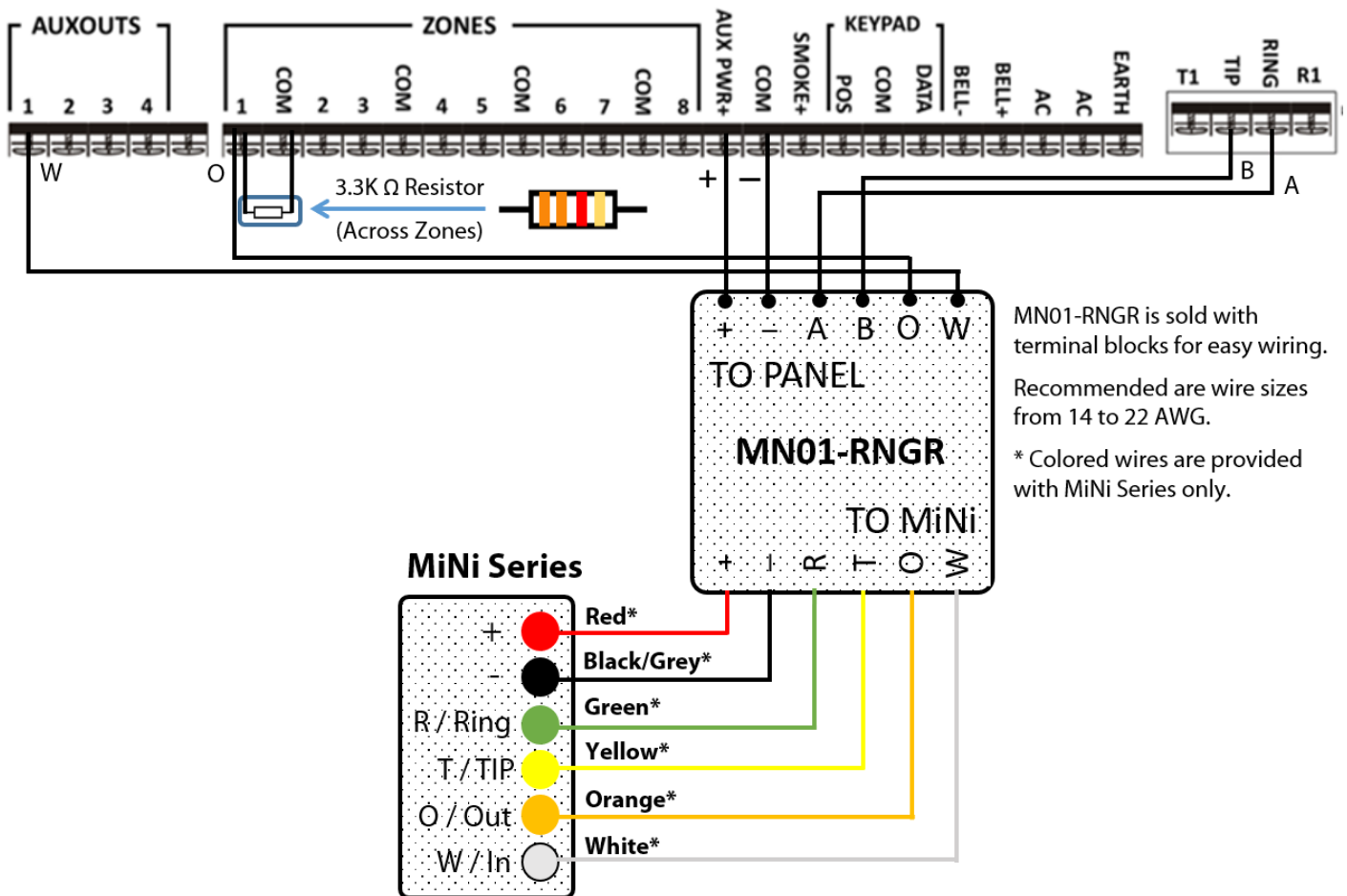
Wiring the MQ Series communicators to Interlogix NX-8



Wiring the MiNi Series communicators to Interlogix NX-8



Wiring the MiNi Series with Ringer MN01-RNGR to Interlogix NX-8 for UDL



Programming the Interlogix NX-8 Alarm Panel via the Keypad

Enable Contact ID reporting:

LED	Keypad Entry	Action Description
LEDs of Ready, Power Steady ON	*8 9713	To enter programming mode
Service LED blinks	0#	To go to main panel programming menu
Service LED blinks, Armed LED steady ON	0#	To enter phone number menu
Service LED blinks, Ready LED steady ON	15*1*2*3*4*5*6*#	15* (to choose phone dialing), followed by your desired phone number (123456 is just an example) each figure is followed by *, # to save and go back
Service LED blinks, Armed LED steady ON	1#	To go to account number menu
Service LED blinks, Ready LED steady ON	1*2*3*4*#	Enter the desired account number (1234 is an example), # to save and go back
Service LED blinks, Armed LED steady ON	2#	To go to communication format
Service LED blinks, Ready LED steady ON	13*	To choose Contact ID, * to save
All Zone LEDs are ON	4#	To go to events reported to phone 1
All Zone LEDs are ON	*	To confirm all events reporting and go to next section
All Zone LEDs are ON	*	To confirm all events reporting and go back
Service LED blinks, Armed LED steady ON	23#	To go to feature report section
Service LED blinks, Ready LED steady ON	**	To go to section 3 of the toggle options menu
Ready Led steady ON	1*	To enable Open/Close reporting
Service LED blinks, Armed LED steady ON	Exit, Exit	Press "Exit" two times to exit programming mode

Program Keyswitch zone and output:

LED	Keypad Entry	Action Description
LEDs of Ready, Power Steady ON	*8 9713	To enter programming mode
Service LED blinks	0#	To go to main panel programming menu
Service LED blinks	25#	To go to zone type menu
Service LED blinks, Ready LED steady ON	11*#	To set Zone 1 as a Momentary Keyswitch, *# to save and go back
Service LED blinks, Armed LED steady ON	47#	To go to AUX 1 Output events and time menu
Service LED blinks, Ready LED steady ON	21*	To choose armed state event as an event that will activate the AUX 1
Service LED blinks, Ready LED steady ON	0*	To disable the output timer (the hold status)
Service LED blinks, Armed LED steady ON	Exit, Exit	Press "Exit" two times to exit programming mode

Programming the GE Interlogix NX-8 Alarm Panel via the Keypad for remote Upload/Download (UDL)

Program the Panel for Upload/Download (UDL):

Display	Keypad Entry	Action Description
System ready	*89713	Enter programming mode.
Enter device address	00#	To go to main edit menu.
Enter location	19#	Start configuring "Download Access Code". By default, it is "84800000".
Loc#19 Seg#	8, 4, 8, 0, 0, 0, 0, 0, #	Set the Download Access Code to its default value. Press # to save and go back. IMPORTANT! This code should match the one set in the "DL900" software.
Enter location	20#	To go to "Number of rings to answer" menu.
Loc#20 Seg#	1#	Set number of rings to answer to 1. Press # to save and go back.
Enter location	21#	Go to "Download control" toggle menu.
Loc#21 Seg#	1, 2, 3, 8, #	All of these (1,2,3,8) should be OFF in order to disable "AMD" and "Call back".
Enter location	Exit, Exit	Press "Exit" twice to exit programming mode.