

HD-ANALOG VIDEO CAMERA

DATA SHEET

FENNEC SERIES

THE ALTERNATIVE SOLUTION



BY



BIG BULLET B7ZVF2812A10-5MP



5MP - 20FPS

4 IN 1 - TVI / CVI / AHD / ANALOG

DWDR / BLC

MOTORIZED 2.8-12MM LENS

12VDC - 24 AC

IR 30M MATRIX LED

3 YEARS WARRANTY



BIG BULLET

MODEL: B7ZVF2812A10-5MP



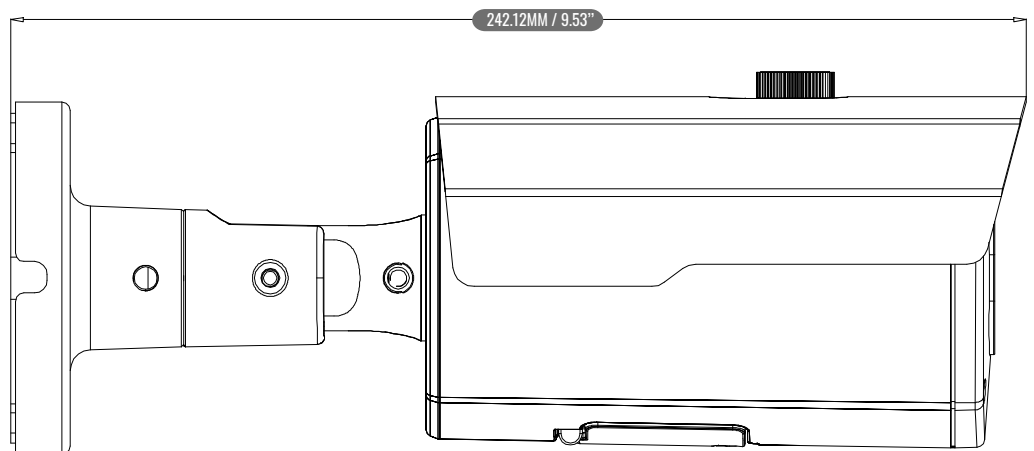
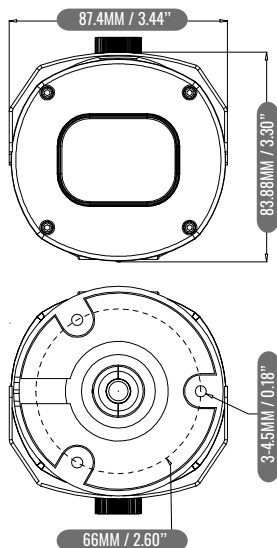
MENU	
• AGC	✓ YES
• DAY/NIGHT MODE	EXT/AUTO/COLOR/BW (BLACK AND WHITE)
• WHITE BALANCE	AUTO/MANUAL
• BLC	✓ YES
• S/N RATIO	35DB
• OSD	SUPPORT

INTERFACE	
• VIDEO OUTPUT TERMINATION	1-CHANNEL BNC VIDEO OUTPUT
• DIP SWITCH	TVI/AHD/CVI/CVBS

GENERAL	
• IP RATING	IP66
• POWER SUPPLY	12VDC - 24AC
• IR RANNGE	UP TO 30M
• COMMUNICATION	UP THE COAX, PROTOCOL

• IMAGE SENSOR	1/2.7" PROGRESSIVE CMOS
• SIGNAL SYSTEM	PAL/NTSC
• FRAME RATE	5AHD/5TVI: 5MP@20FPS 4AHD/4CVI/4TVI: 4MP/P@25FPS 4MP/N@30FPS CVBS: 960H
• RESOLUTION	5MP 2592(H)X1944(V)
• MIN.ILLUMINATION	0.05LUX@F1.2(AGC ON),0LUX WITH IR ON
• SHUTTER TIME	1/15 S TO 1/50,000 S
• LENS	MOTORIZED 2.8-12 MM
• HORIZONTAL FIELD OF VIEW	H.FOV:81.04°(W)—28.78°(T)
• DAY & NIGHT	IR CUT FILTER
• IR CUT FILTER	✓ YES, 850NM
• SYNCHRONIZATION	INTERNAL SYNCHRONIZATION
• DWDR	SUPPORT

DIMENSIONS

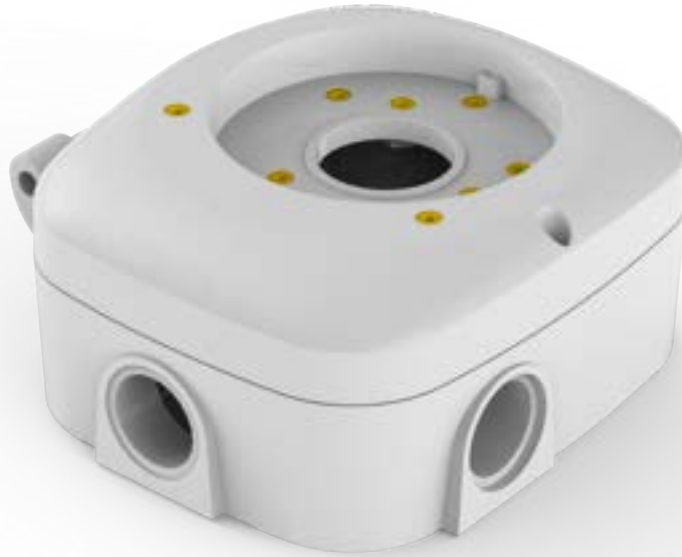


2021 GLOBAL SURVEILLANCE DEVELOPMENT, GSD GROUP AND GSD ARE REGISTERED TRADEMARKS OF GLOBAL SURVEILLANCE DEVELOPMENT GROUP, INC. IN CANADA AND / OR OTHER COUNTRIES. WE RESERVE THE RIGHT TO CHANGE THE DESIGN AND SPECIFICATIONS OF THE PRODUCT WITHOUT NOTICE AND WITHOUT INCURRING ANY OBLIGATION.



MODEL: B7ZVF2812A10-5MP

ACCESSORIES



B6BASE1

WALL MOUNT BRACKET

COMPLEMENTARY ACCESSORIES



PMB6

POLE MOUNT BRACKET



COMB6

CORNER MOUNT BRACKET



BALUNHD

BALUN HD



GRDLOOP-HD

GROUND LOOP HD



BALUNHD+

BALUN HD +