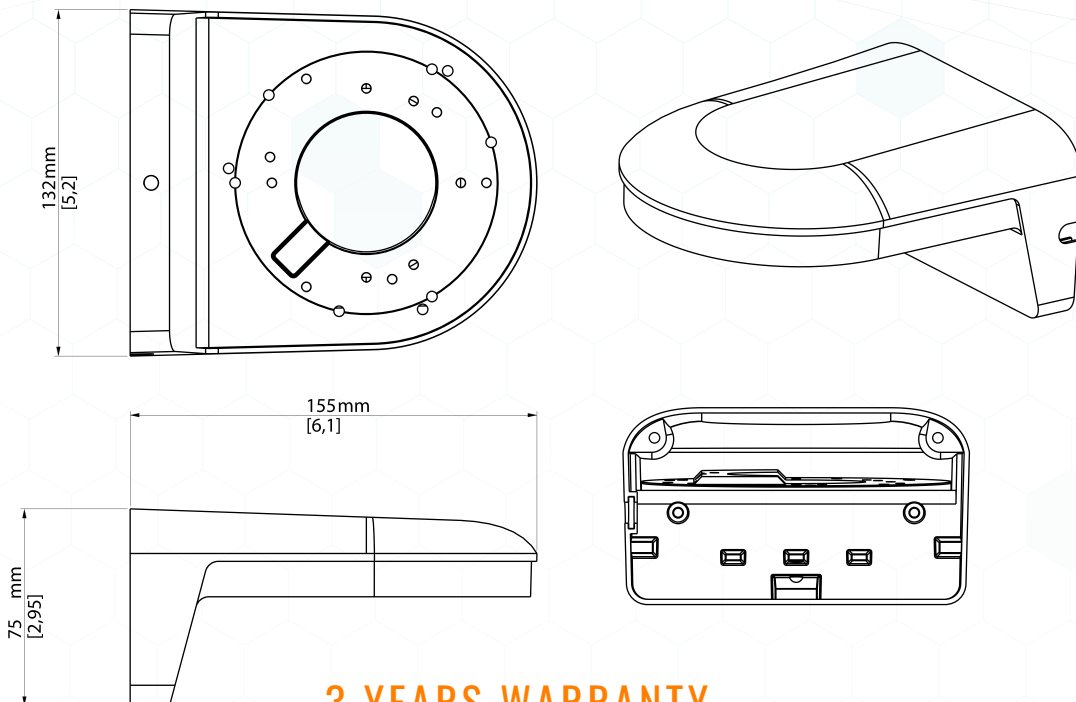




BY



## WMB2 WMB2-B



**3 YEARS WARRANTY**