

NETWORK VIDEO CAMERA

DATA SHEET

FENNEC SERIES

THE ALTERNATIVE SOLUTION



BY



BULLET B7Z2812IP8MP-AI



8MP - 30FPS

Onvif® COMPLIANT PROFILE S/G/T

TRUE WDR

MOTORIZED 2.7 ~ 13.5MM H.FOV

IP66

POE (POWER OVER ETHERNET)

AI FEATURES

HUMAN/VEHICULE DETECTION
PERIMETER DETECTION
FACE DETECTION
LINE CROSSING DETECTION

45M ARRAY LED/STARLIGHT

ALARM & AUDIO: IN/OUT

3 YEARS WARRANTY



BULLET

MODEL: B7Z2812IP8MP-AI



• RESOLUTION	8MP 3840(H)×2160(V)
• IMAGE SENSOR	1/2.8" PROGRESSIVE CMOS
• MIN. ILLUMINATION	COLOR 0.05LUX @ F1.2(AGC ON) ; B/W 0 LUX @ IR ON

• SHUTTER	1/5 ~ 1/20000S
• SLOW SHUTTER	SUPPORT
• LENS	2.7 ~ 13.5MM H.FOV: 34-116° H.VER: 19.59° H.DIA: 39-142
• DAY & NIGHT	IR CUT FILTER WITH AUTO SWITCH (DAY/NIGHT/AUTO/SCHEDULE)
• DIGITAL NOISE REDUCTION:	3D DNR
• WDR	TRUE WDR 120DB

• VIDEO COMPRESSION	H.265/H.264	• BLC	SUPPORT
• VIDEO BIT RATE	8KBPS ~ 16MBPS	• PRIVACY MASK	SUPPORT
• STREAM	TRIPLE	• VIDEO ANALYTICS	SUPPORT

• SYSTEM COMPATIBILITY	ONVIF (VER. 17.06) PROFILE S/G/T
• INTERFACE	RJ45 10M / 100M ETHERNET INTERFACE X1
• LED	4X ARRAY LED
• IR RANGE	UP TO 45 M
• SD STORAGE	MICRO SD SLOT, UP TO 256GB

• ALARM TRIGGER	✓ YES	• WATER PROOF	IP66
• AUDIO	✓ YES	• POWER SUPPLY	D 12V/POE
• VIDEO OUTPUT	✗ NO	• CONSUMPTION	≤ 7W
• RESET BUTTON	✓ YES	• DIMENSION	87.4MM X 242.12MM
• POE	✓ YES	• WEIGHT	APPR 830G

RESOLUTION

- MAINSTREAM(DEFAULT 30FPS/8MP)
8MP (3840X2160) | 5MP (2592X1944) (1-15FPS) | 4MP (2592X1520) (1-20FPS)
3MP (2048X1520) | 1080P (1920X1080) (1-30FPS)
960P (1280X960) | 720P (1280X720)
- SUBSTREAM(DEFAULT 10FPS) (1-15FPS)
720P (1280X720) | VGA (640X480) | QVGA (320X240)
- MOBILESTREAM
VGA (640X480) | QVGA (320X240)

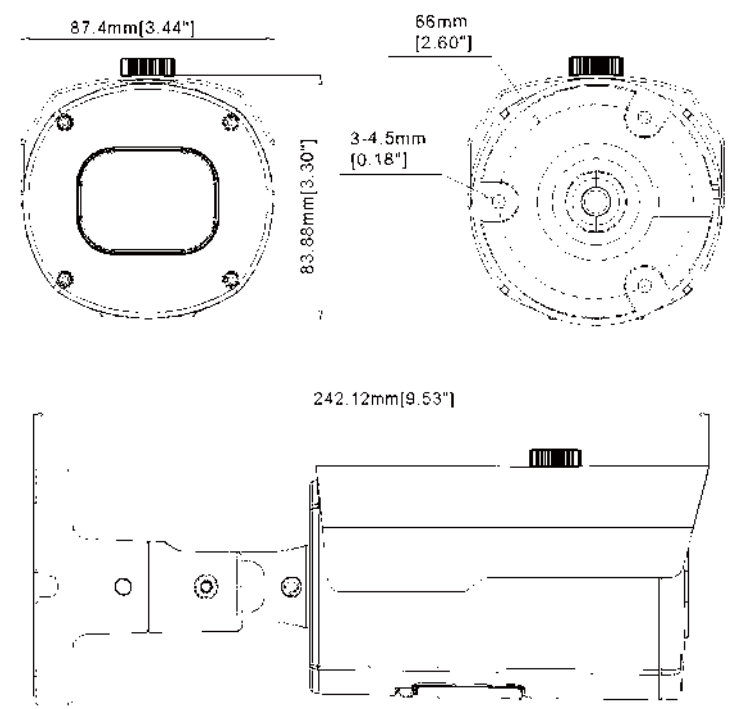
IMAGE SETTINGS

FLIP	CONTRAST
SATURATION	HUE
BRIGHTNESS	SHARPNESS ADJUSTABLE

PROTOCOLS

TCP/IP	HTTP	DHCP	DNS	DDNS	RTP	RTSP
	SMTP	NTP	UPNP	SNMP	HTTPS	FTP

DIMENSIONS



STORAGE TEMPERATURE
-30~+60°C
LESS THAN ≤ 95% RH

OPERATING TEMPERATURE
-30~+55°C

2021 GLOBAL SURVEILLANCE DEVELOPMENT, GSD GROUP AND GSD ARE REGISTERED TRADEMARKS OF GLOBAL SURVEILLANCE DEVELOPMENT GROUP, INC. IN CANADA AND / OR OTHER COUNTRIES. WE RESERVE THE RIGHT TO CHANGE THE DESIGN AND SPECIFICATIONS OF THE PRODUCT WITHOUT NOTICE AND WITHOUT INCURRING ANY OBLIGATION.



B7Z2812IP8MP-AI

ACCESSORIES



 **B6BASE1**
JUNCTION BOX

OR

 **EB3BASE4**
JUNCTION BOX



COMPLEMENTARY ACCESSORIES



 **PMB6**
POLE MOUNT BRACKET



 **EXT-4POE**
EXTENDER 4 PORTS POE



 **IP-COAX-300M**
IP OVER COAX EXT



 **INJPOE-25W**
INJECTOR POE 25WATTS