

NAPCO GEM 1632

Wiring M2M's MiNi/MQ Series Cellular Communicators and Programming the Panel

CAUTION:

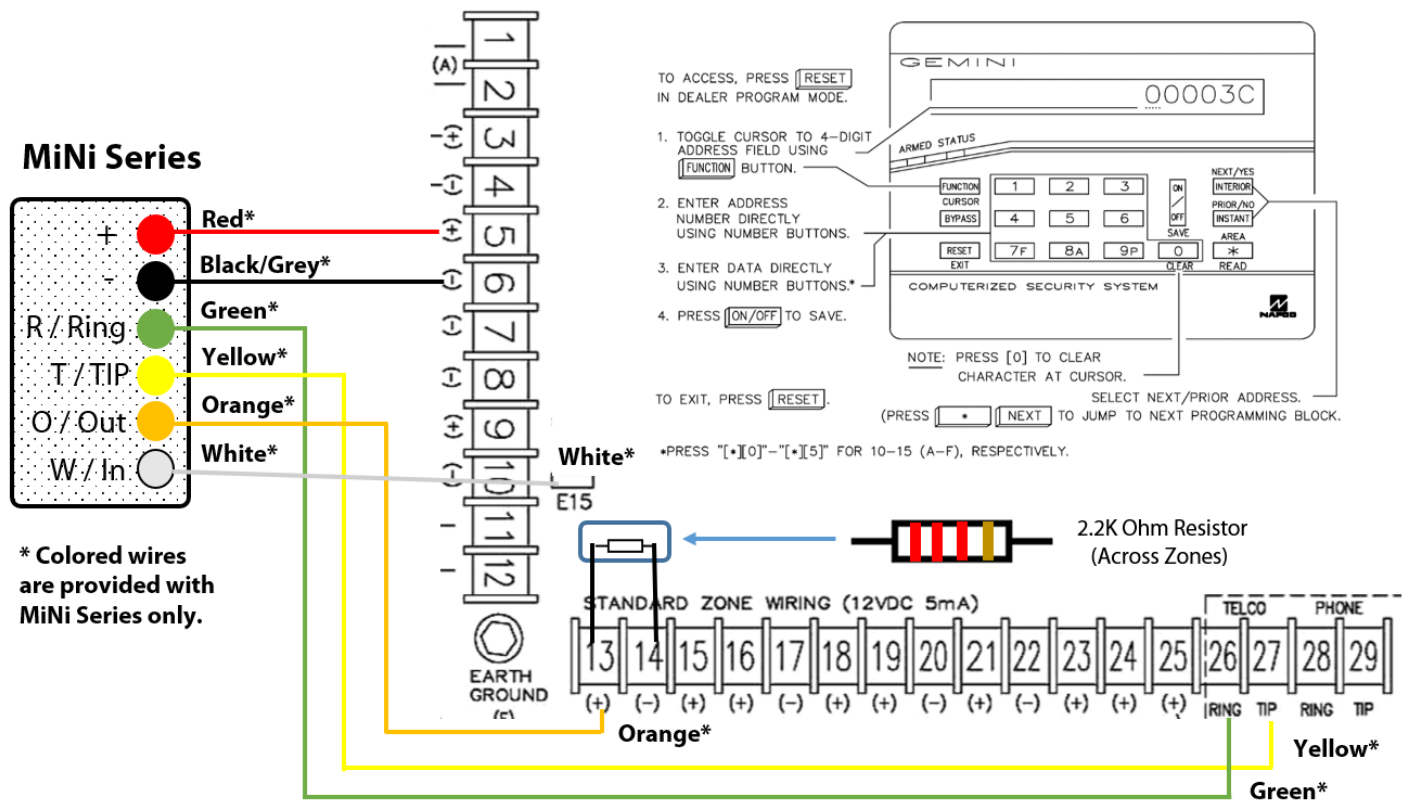
- It is advised that an experienced alarm installer programs the panel as further programming may be required to ensure proper performance and use of the full functionality.
- Do not route any wiring over circuit board.
- Full panel testing, and signal confirmation, must be completed by the installer.

NEW FEATURE: For MiNi/MQ Series Communicators, the status of the panel can be retrieved not only from the status PGM but now also from the Open/Close reports from the dialer. Therefore, wiring the white wire and programming of the status PGM of the panel is optional.

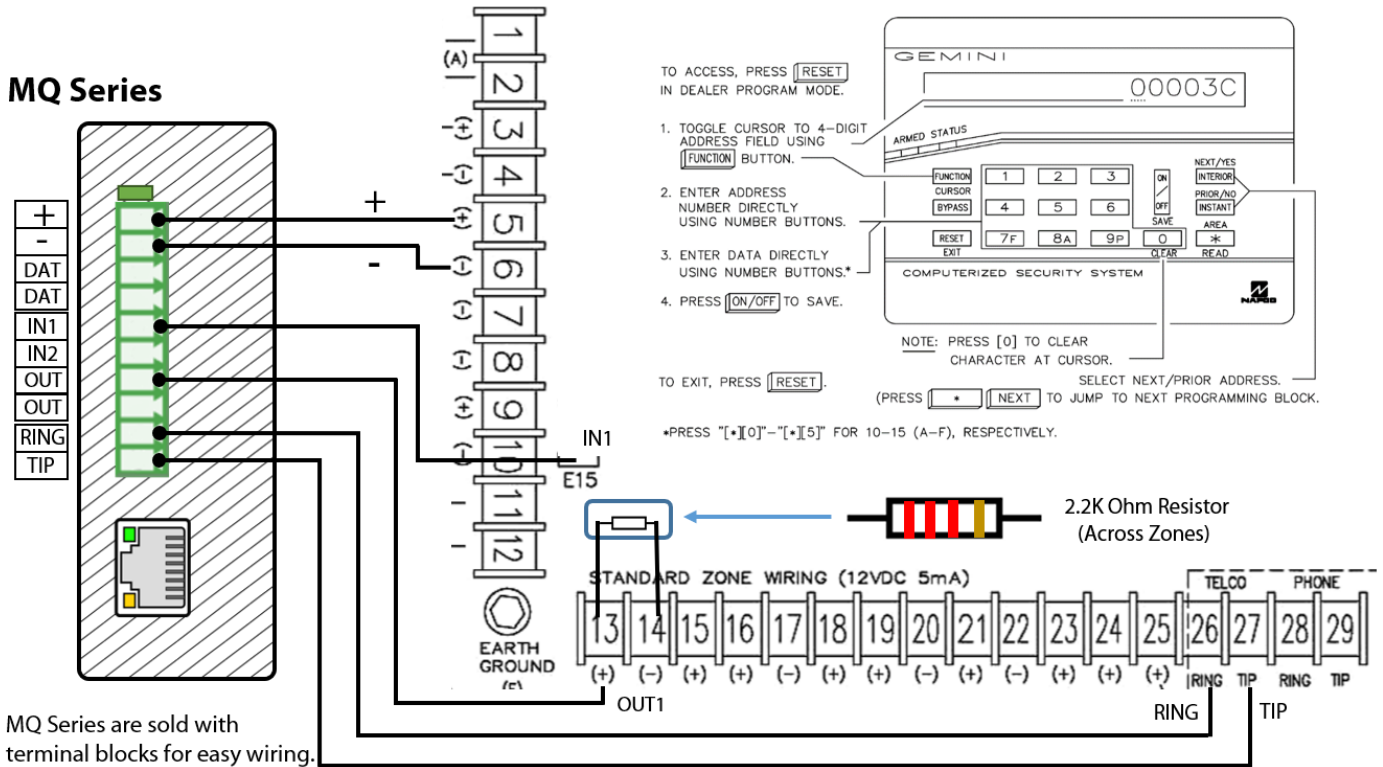
Wiring the white wire is necessary only if the Open/Close reporting is disabled.

IMPORTANT NOTE: The Open/Close reporting needs to be enabled during the initial pairing procedure.

Wiring the MiNi Series communicators to NAPCO GEM 1632



Wiring the MQ Series communicators to NAPCO GEM 1632



MQ Series are sold with terminal blocks for easy wiring. Recommended are wire sizes from 14 to 22 AWG.

Programming the NAPCO GEM 1632 Alarm Panel via the Keypad

Enable Contact ID reporting:

Display	Keypad Entry	Action Description
SYSTEM READY	45678, Function	Enter the dealer code (45678 is an example) for the specific panel and press the "Function" button.
DISPLAY ZN DIRECTORY Y/N	No, No.... Yes	Press NO until you reach ACTIVATE PROGRAM on the display of the keypad. Press YES to enter Programming mode.
#of Zns in Area1 (for factory default panel)	No, No.... Yes	Press NO until you reach Central Phone # on the keypad.
Central Phone #	123456, Save, Yes	Configure Phone Number 1, press SAVE and the YES to go to the account number.
Central Station Account # ()	1234, Save, Yes	Configure Account Number, press SAVE and then YES to go to reporting format.
See WI for Info Rcvr Format	Read, 2, Save, Reset	Configure Contact ID as reporting format. Press SAVE and then RESET to go to Address programming.
0000 060	1423, 6, Save, Function	Enter 1423 to go to the specific toggle menu. Ensure that 6 is off – TLM has to be Disabled.
1423 xxxxxxxx	0788, 3, Save, Function	Enter 0788 to go to the specific toggle menu. Ensure that 3 is ON to enable touch tone dialing.
0788 xx3xxxxx		0670 – 0689 and 0698 – 0705 are the menus that hold the reporting codes for the different (predefined) events. Should be set as per the specific installation requirements.
	0800, 12345678, Save, Function	0800-0804 are the menus that hold the values for user reporting (Open). Enable the users required by the installation. Press Save and Function to go to the next section. (in this example case - 8 users are enabled).
0800 12345678	0804, 3, 4, Save, Function	Go to 0804 toggle menu in order to enable the OPEN reporting for users 35-"Quick Arm" and 36-"Keyswitch". Position 3 is for enabling Quick Arm Open Reporting. Position 4 is for Keyswitch disarm reporting. Press Save. Press Function to go to the next address.
0805 xx34xxxx	0809, 12345678, Save	0809-0813 are the menus that hold the values for user reporting (Close). Enable the users required by the installation. Press Save and Function to go to the next section. (in this example case - 8 users are enabled).
0813 12345678	0813, 3, 4, Save, Function	Go to 0813 toggle menu in order to enable the CLOSE reporting for users 35-"Quick Arm" and 36-"Keyswitch". Position 3 is for enabling Quick Arm Close Reporting. Position 4 is for Keyswitch arm reporting. Press Save. Press Function to go to the next address.
0813 xx34xxxx	Reset, Reset	Press RESET (EXIT) until you exit the programming mode.

Program Keyswitch zone and output:

Display	Keypad Entry	Action Description
SYSTEM READY	45678, Function	Enter the dealer code (45678 is an example) for the specific panel and press the "Function" button.
DISPLAY ZN DIRECTORY Y/N	No, No.... Yes, Reset	Press NO until you reach ACTIVATE PROGRAM on the display of the keypad. Press YES to enter Programming mode and then RESET to go to address programming mode.
0000 060	0905, 1, Save	In this toggle option menu, enable option 1 in order to set Zone 1 as momentary Keyswitch, Press Save and Function to input next address.
0905 1xxxxxxx	0903, 1..., Save, Function	In this toggle options menu ensure that option 1 is OFF to enable EOL resistors.
0933 xxxxxxxx	2052, ..., Save	In this toggle option menu make sure that no options are active to ensure the proper work of lug E15.
2052 xxxxxxxx	Reset, Reset	Press RESET (EXIT) until you exit the programming mode.