

# Honeywell Vista 32FB/ 128FBP

## Wiring M2M's MiNi/MQ Series Cellular Communicators and Programming the Panel

**CAUTION:**

- It is advised that an experienced alarm installer programs the panel as further programming may be required to ensure proper performance and use of the full functionality.
- Do not route any wiring over circuit board.
- Full panel testing, and signal confirmation, must be completed by the installer.

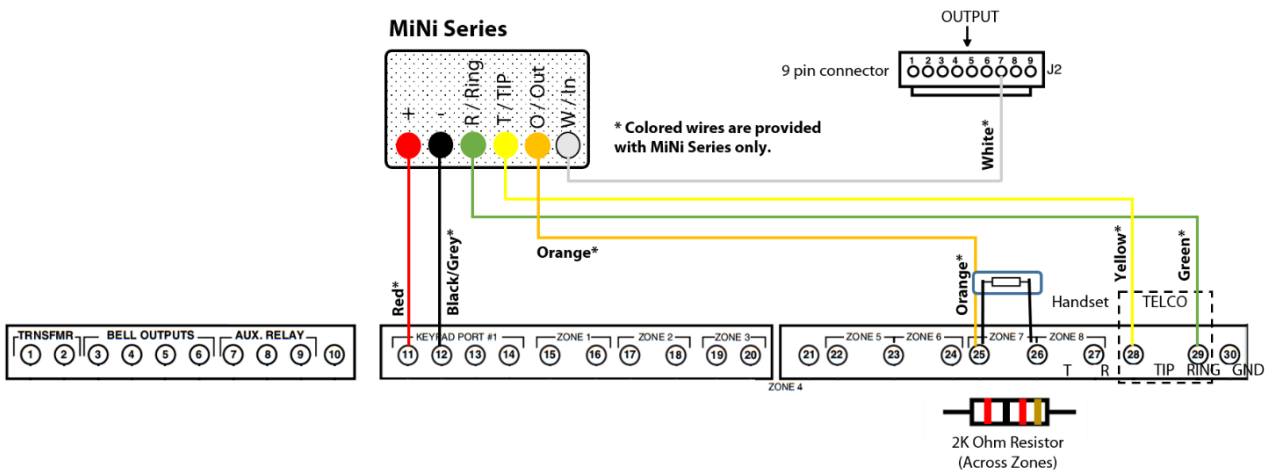
**NEW FEATURE:** For MiNi/MQ Series Communicators, the status of the panel can be retrieved not only from the status PGM but now also from the Open/Close reports from the dialer. Therefore, wiring the white wire and programming of the status PGM of the panel is optional.

Wiring the white wire is necessary only if the Open/Close reporting is disabled.

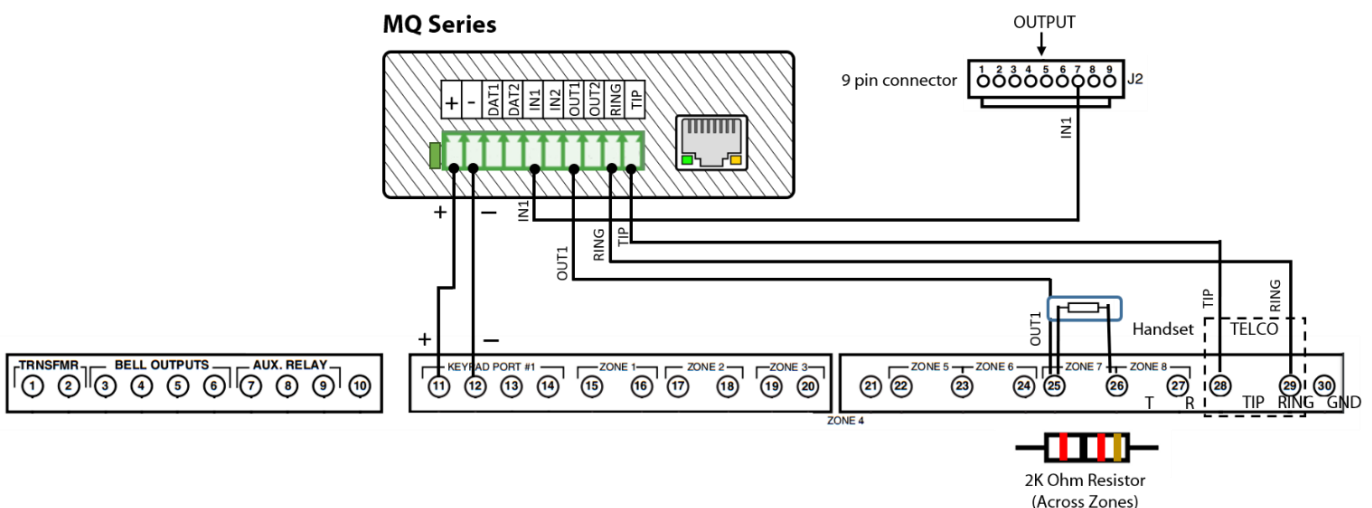
**IMPORTANT NOTE:** The Open/Close reporting needs to be enabled during the initial pairing procedure.

**NOTE:** We recommend connecting the Output (Orange wire of the MiNi Series) to Zone 7 (terminal 25), which is the default zone for the keyswitch.

### Wiring the MiNi Series communicators to Honeywell Vista 32FB/ 128FBP



### Wiring the MQ Series communicators to Honeywell Vista 32FB/ 128FBP



## Programming the Honeywell Vista 32FB/ 128FBP Alarm Panel via the Keypad

Enable Contact ID reporting:

Keypad Display	Keypad Entry	Action Description
DISARMED	5140,8,00	To enter Programming mode (Vista 128 FBP – 5140,8,000).
Program mode	*30	To go to "Main Dialer Touch tone or Rotary" menu.
Main Dlr. Touch	1	To select "Touchtone".
PABX	*32	To start configuring "Part. 1 Primary Subs. Acct. No."
Prim.Subs. Acct#	01, 02, 03, 04	Enter account number (1234 in HEX) value and press * to save and go back
Primary Phone	*33	To start configuring primary phone number.
Primary Phone	123456*	Enter phone number value and press * to save and go back.
Enter Fill Field	45	To enter "Report format" menu.
Primary format	1	Press 1 to select "Ademco Contact ID" format.
Low Speed Format	*93	To enter Interactive Programming menu.
Zone Prog.?	1, 1	Enter Zone programming.
Enter Zone No.	974 **	To start configuring zone 974 (which is responsible for TLM).
Zone Type	00, *	To disable TLM.
Delete Zone?	1**	To confirm TLM disabling and go back to zone selection (Vista 32FB).
Enter Zone No.	000 *	To quit Zone programming.
Quit menu mode?	0, 0, 0, 1	Press 0 until "Report code prog" is reached. Press 1 to enter this menu.
Alarm, ID digit?	0, 0, 1	Once again press 0 until "System group #1" is reached. Press 1 to enter this menu.
CLOSE	01, **	To enable "Close" reporting and go to "Open".
OPEN	01, * # ... 0	To enable "Open" reporting Press # until "System Group #1" is reached. Press 0 to go to "System Group #2".
System group #2	1	Press 1 to enter this menu.
STAY	01, *, ##	To enable "Stay" reporting and go back to "System Group #2" view.
System group #2	0 ... 1	Press 0 until "Quit Report Menu" is shown. Press 1 to quit.
Quit menu mode?	1	Press 1 to exit menu mode.
Program mode	*99	Exit programming mode.

Program keyswitch zone and status output:

Keypad Display	Keypad Entry	Action Description
DISARMED	5140,8,000	Enter Programming mode.
Program mode	*15	To go to "Keyswitch assignment" section.
Keyswitch 1-2=Ptn	1	Activate keyswitch for partition 1.
Bell 1 Confirm	*40	Go to "Open/Close Reporting for keyswitch" section.
Open/Close Rep. For Keyswitch	1	Enable Open/Close reporting for keyswitch.
Normally Closed	*94 ...	Enter *94 until you see 300 in the lower right corner.
Alt Program Mode	*20	Go to "Trigger outputs function selection".
Trig Out Func Sel	1	This selection assigns "Keyswitch ready LED" behavior to pin 7 (J2 connector).
Max Dial Attempts	*99 ...	Enter *99 as much as needed to exit programming (the display will show "DISARMED").